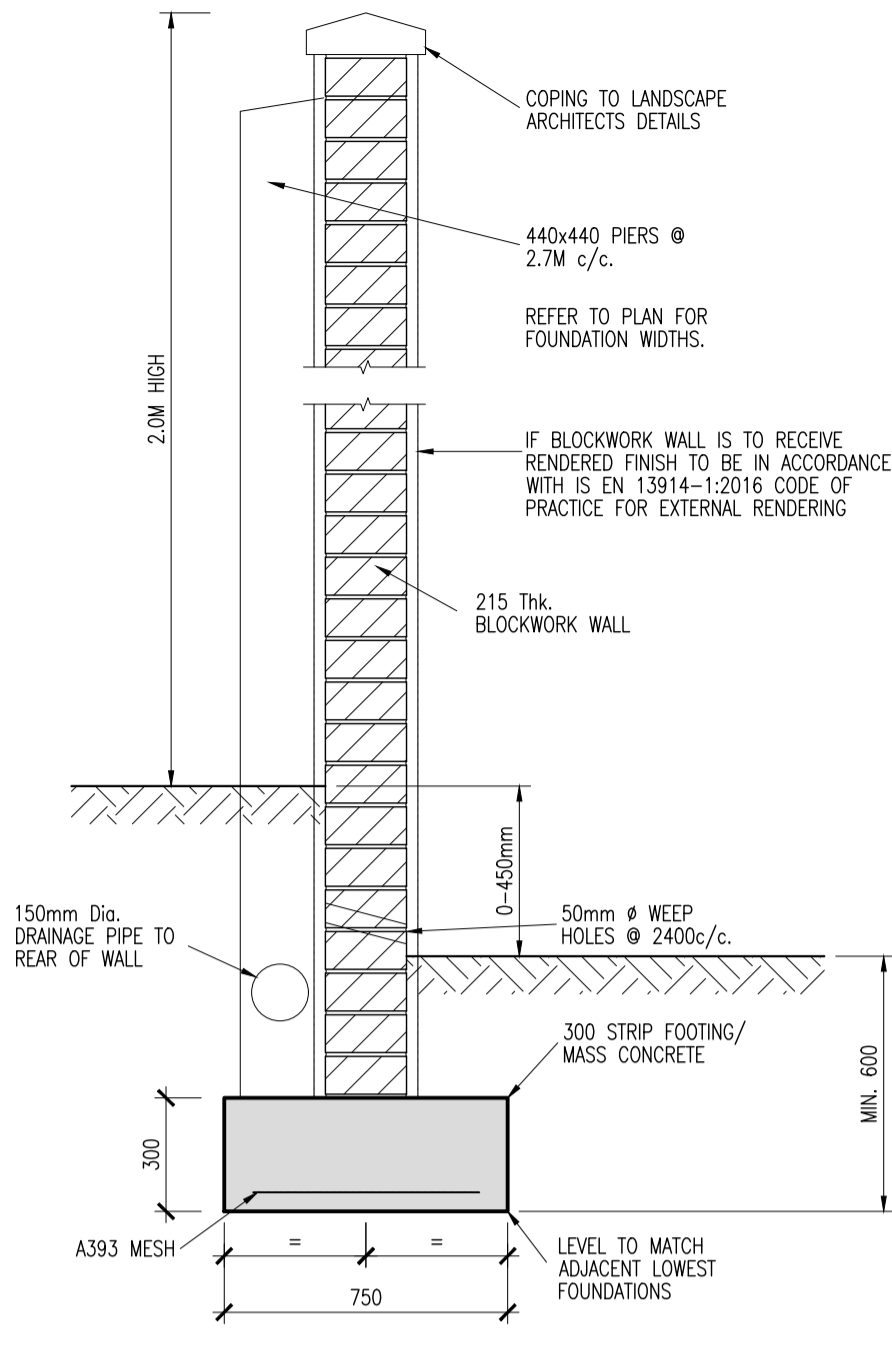
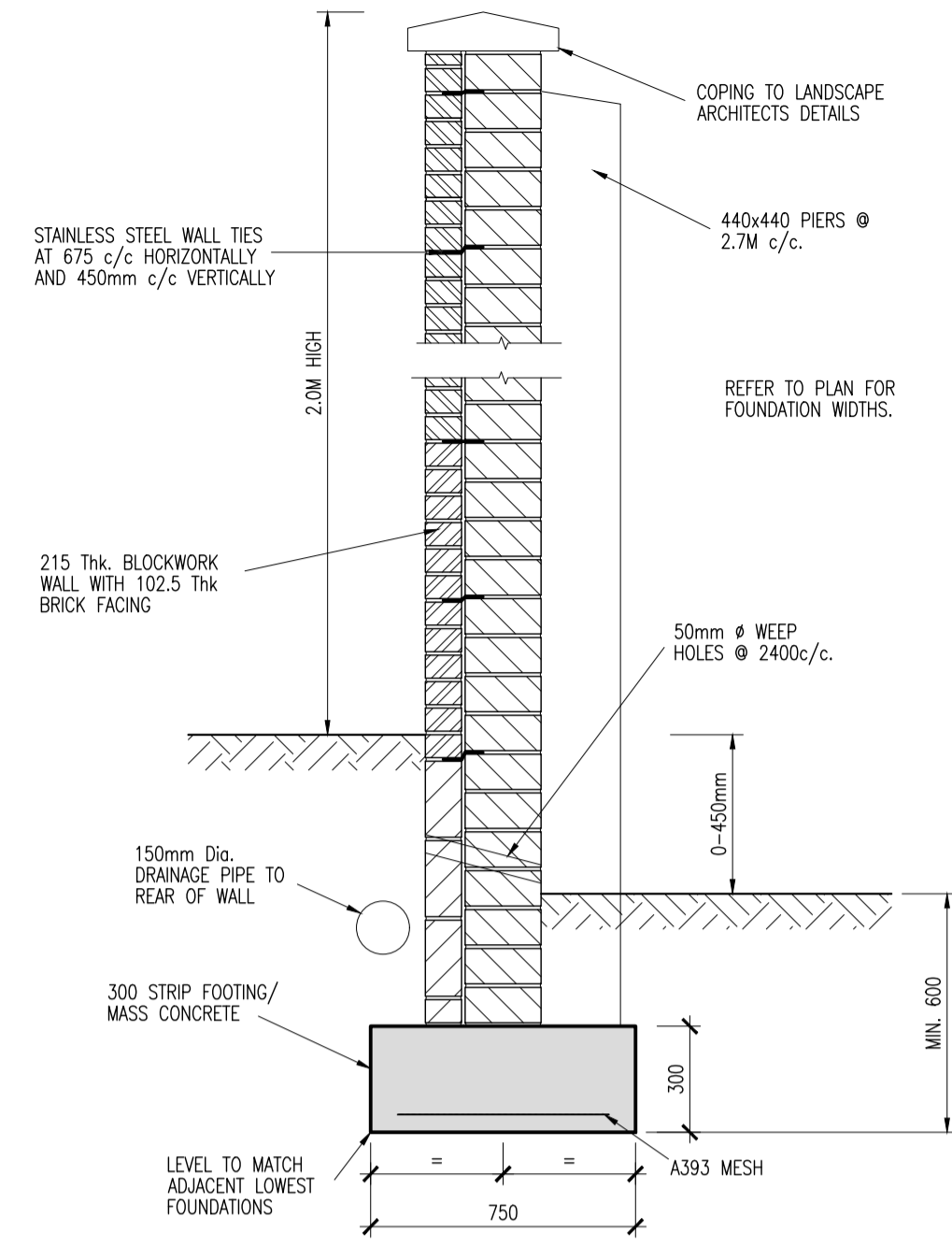


© COPYRIGHT OF THIS DRAWING IS RESERVED BY DBFL CONSULTING ENGINEERS. NO PART SHALL BE REPRODUCED OR TRANSMITTED WITHOUT THEIR WRITTEN PERMISSION.
 NO CHANGES OF WHATSOEVER NATURE ARE TO BE MADE TO ANY DETAILS SET OUT OR CONTAINED IN ANY DBFL SPECIFICATIONS OR DRAWINGS UNLESS THE EXPRESS CONSENT HAS BEEN OBTAINED IN ADVANCE, IN WRITING, FROM DBFL.

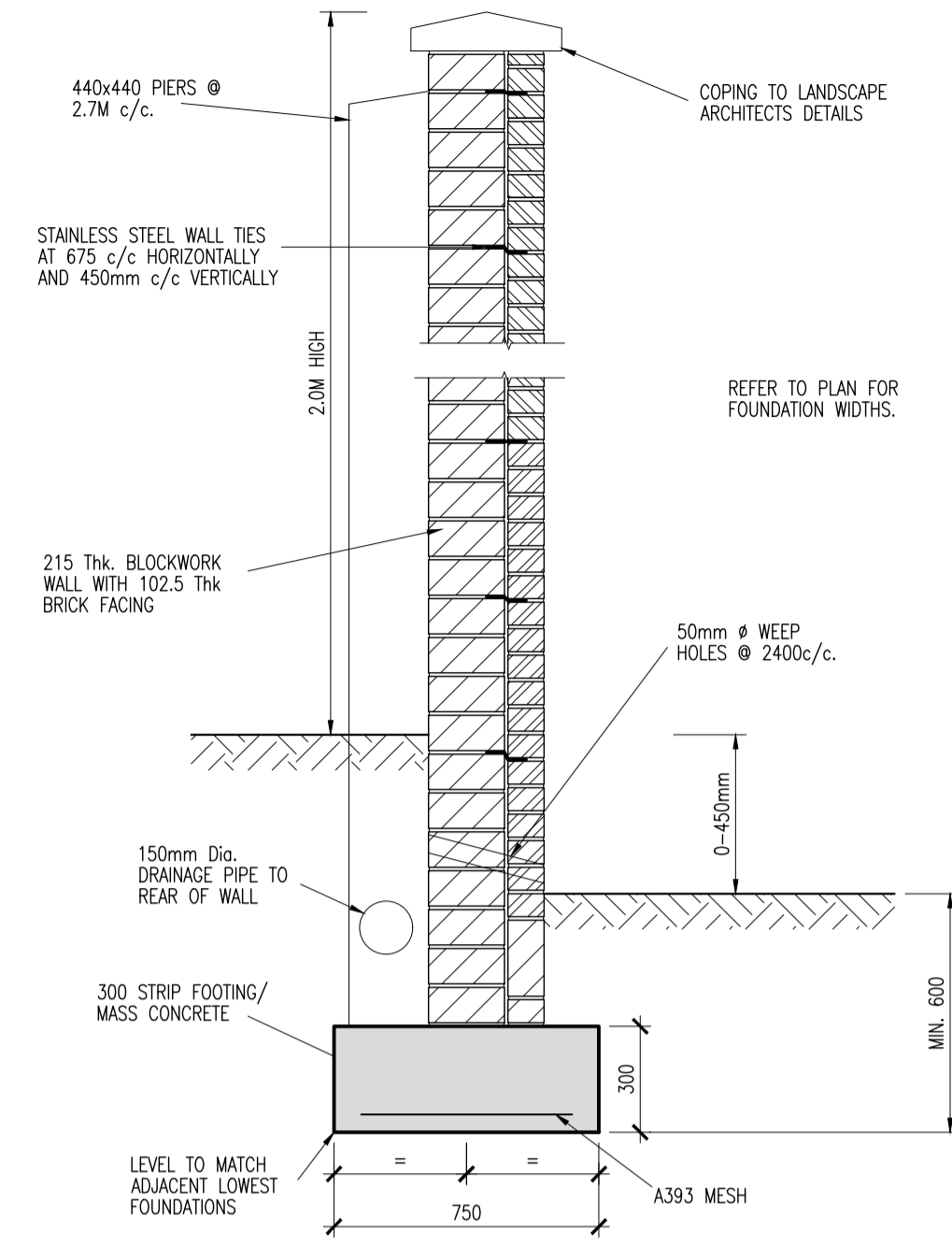
- NOTES:
- THIS DRAWING IS TO BE READ IN CONJUNCTION WITH ALL RELEVANT ARCHITECTS AND ENGINEERS DRAWINGS AND SPECIFICATIONS.
 - ALL EXCAVATIONS FOR FOUNDATIONS TO BE INSPECTED BY A CHARTERED REGISTERED PROFESSIONAL AT CONSTRUCTION STAGE.
 - FOUNDATION WIDTHS AND DEPTH WILL VARY TO SUIT GROUND CONDITIONS ON SITE AS THEY ARE ENCOUNTERED DURING CONSTRUCTION AND SUBJECT TO DETAILED DESIGN.



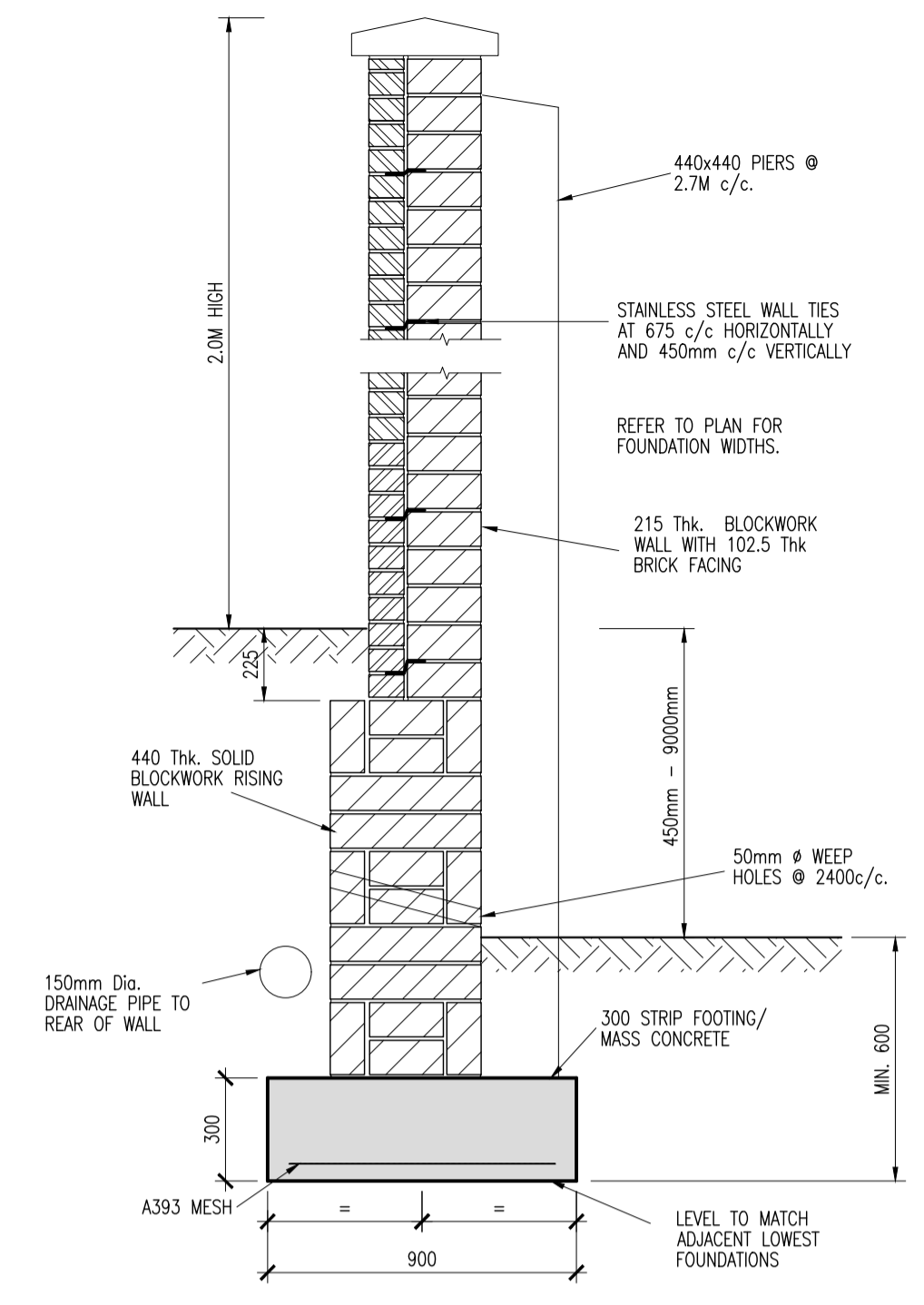
TYPE 1 (1:20) TYPICAL
 RETAINED HEIGHT LESS THAN 450mm



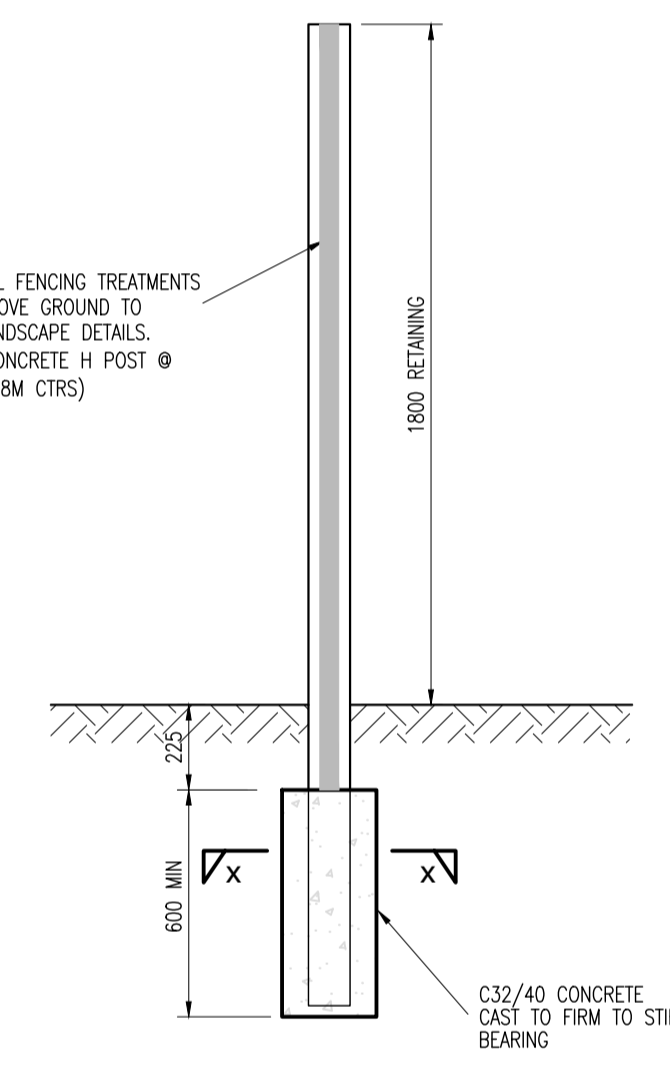
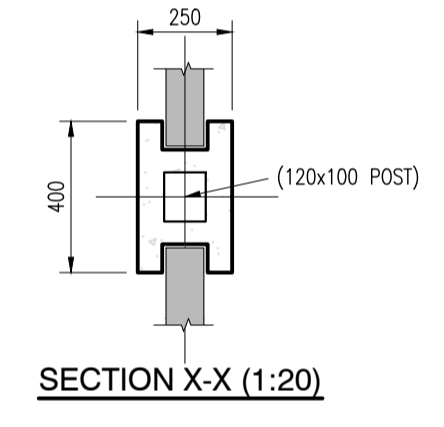
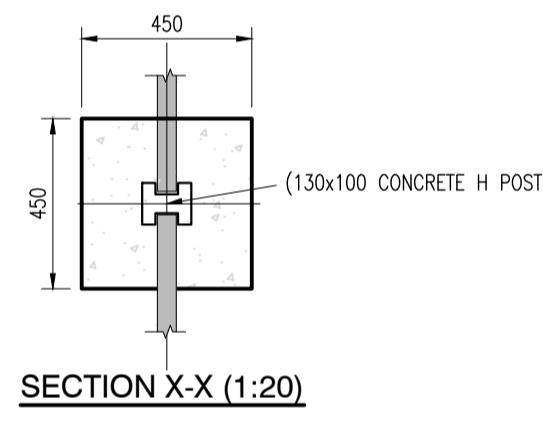
TYPE 2A (1:20) TYPICAL
 RETAINED HEIGHT LESS THAN 450mm



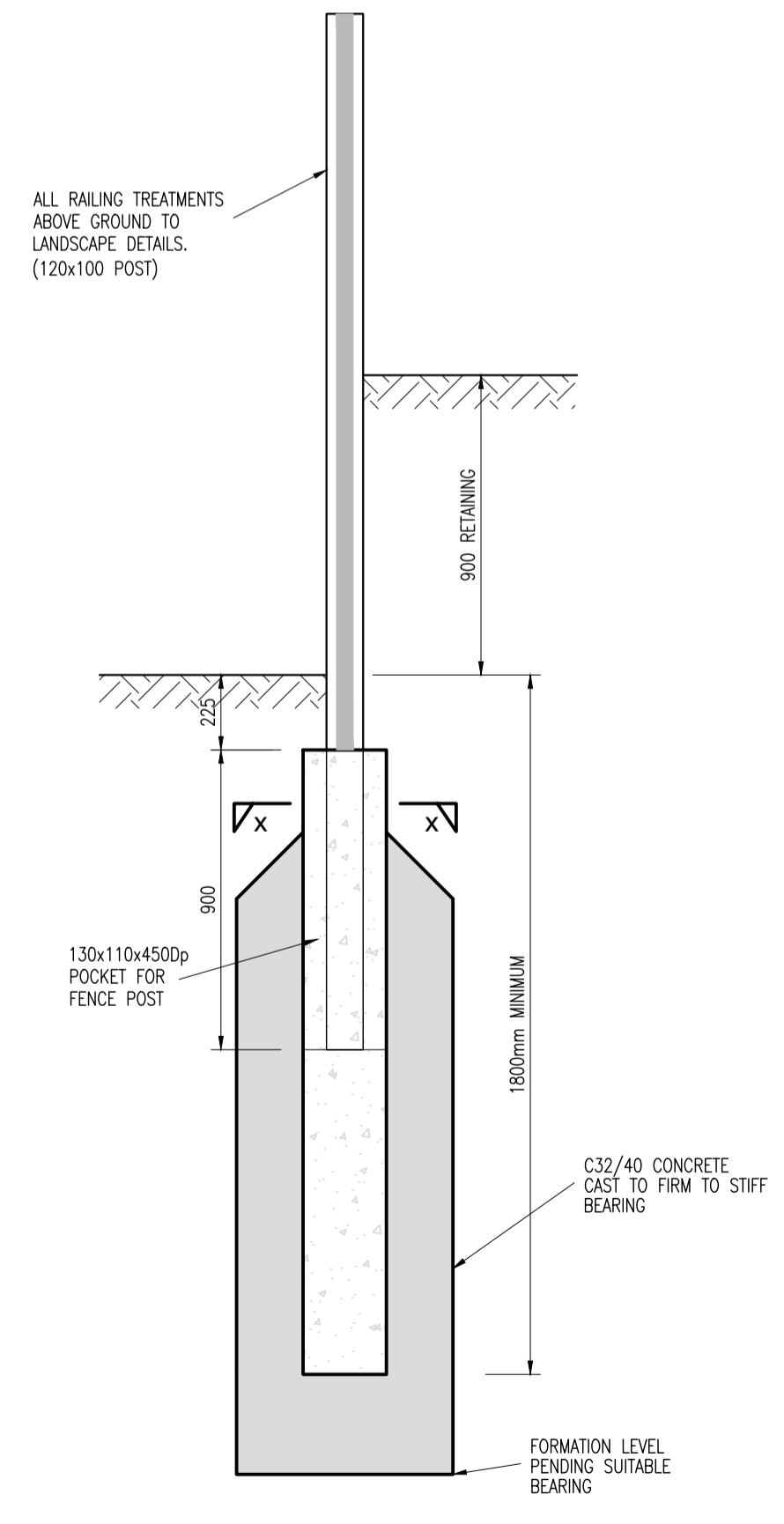
TYPE 2B (1:20) TYPICAL
 RETAINED HEIGHT LESS THAN 450mm



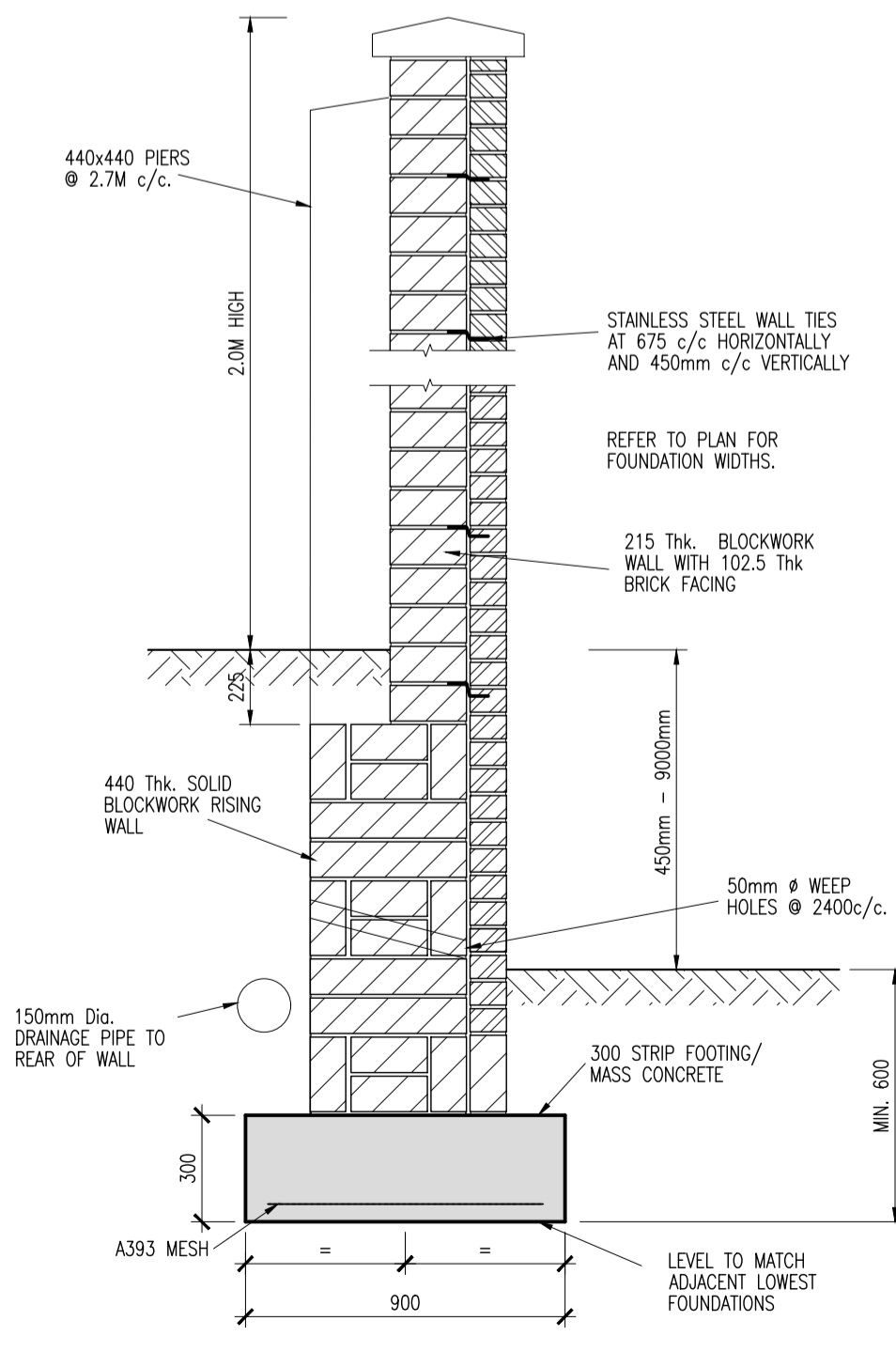
TYPE 2C (1:20) TYPICAL
 RETAINED HEIGHT 450mm - 900mm



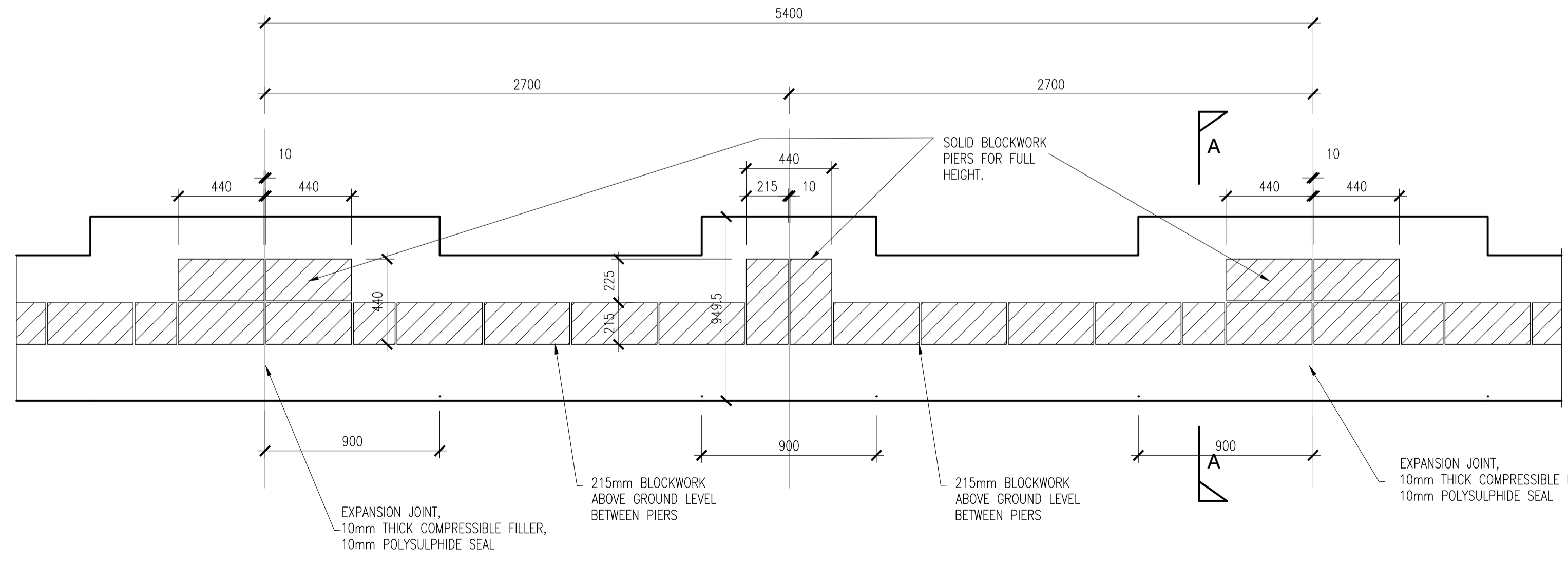
TYPE 3A (1:20) TYPICAL



TYPE 3B (1:20) TYPICAL
 RETAINED HEIGHT TO A MAXIMUM OF 900mm



TYPE 2D (1:20) TYPICAL
 RETAINED HEIGHT 450mm - 900mm



PLAN ON TYPICAL BLOCKWORK WALL

ORDNANCE SURVEY IRELAND LICENCE
 No EN 0017922
 © ORDNANCE SURVEY IRELAND
 GOVERNMENT OF IRELAND

P01	13/06/22	STAGE 3 SHD	PJC	NGC
rev	date	description	by	chkd.
		A - Approved		
		B - Approved with comments		
		C - Do not use		

DBFL Consulting Engineers
 Civil, Structural & Transportation Engineering
 www.dbfl.ie

DUBLIN OFFICE: Ormond House, Upper Ormond Quay, Dublin 7, D07 W074
 PHONE: +353 1 434 4000
 CORK OFFICE: 14 South Mall, Cork, T12 CT91
 PHONE: +353 21 2024538
 WATERFORD OFFICE: Suite 10 The Atrium, Maritime Gate, Canada Street, Waterford, X91 W028
 PHONE: +353 51 309 500

project ref.
NEWCASTLE SOUTH
 drawing title
TYPICAL FOUNDATION DETAILS
SHEET 1

client
CAIRN HOMES PROPERTIES LTD

designed by	author	scale	sheet size
NGC	IC	AS SHOWN	A1
drawing no.			revision
210026-DBFL-RD-SP-DR-C-5104			P01